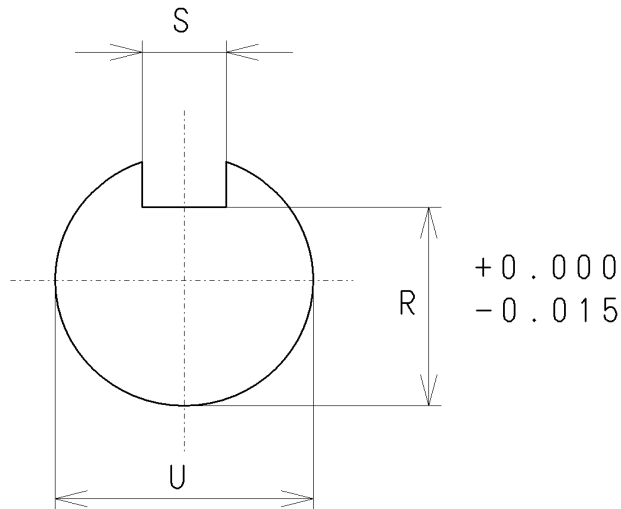


# SHAFT KEYWAY STANDARD



NEMA Standard thru 6.500 DIA.

Navy MIL-M-17060E(SH.) thru 3.250 DIA.

## STD SQUARE KEYS Size in INCH

SHAFT DIA.(U)	S.	R.
0.625	.190/.188	0.517
0.750	.190/.188	0.644
0.875	.190/.188	0.771
1.000	.252/.250	0.859
1.125	.252/.250	0.986
1.250	.252/.250	1.112
1.375	.314/.312	1.201
1.625	.377/.375	1.416
1.750	.377/.375	1.542
1.875	.502/.500	1.591
2.000	.502/.500	1.718
2.125	.502/.500	1.845
2.250	.502/.500	1.972
2.375	.627/.625	2.021
2.500	.627/.625	2.148
2.525	.627/.625	2.275
2.750	.627/.625	2.402
2.875	.752/.750	2.450
3.000	.752/.750	2.577
3.125	.752/.750	2.704
3.250	.752/.750	2.831
3.375	.878/.875	2.880
3.500	.878/.875	3.007
3.625	.878/.875	3.134
3.750	.878/.875	3.261
3.875	1.003/1.000	3.309
4.000	1.003/1.000	3.436
4.125	1.003/1.000	3.563
4.250	1.003/1.000	3.690
4.375	1.003/1.000	3.817
4.500	1.003/1.000	3.944
4.875	1.253/1.250	4.169
5.000	1.253/1.250	4.296
5.750	1.503/1.500	4.900
6.500	1.503/1.500	5.662